

**Highly stable, light, cost effective –
Lightweight construction in different applications:**

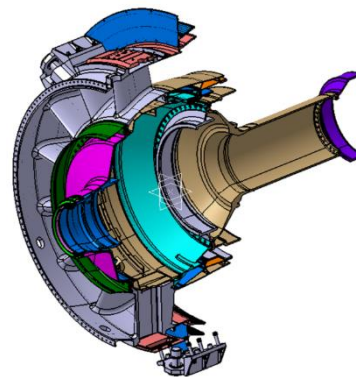
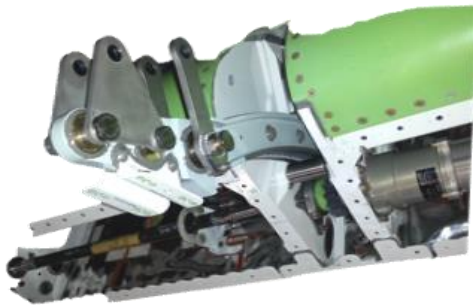
When your product needs an enhanced structural solution

Sonaca provides advanced structures for the aerospace industry.

Here, the requirements for weight, stability, reliability and costs are extremely demanding. We have the know how, the longterm experience and unique solutions.

Meanwhile, our solutions are also demanded in other segments.

When the next product generation can only be realized with innovative structures. Transportation, energy or machine construction industry: We meet the special challenges.



We offer you an outstanding performance capability:

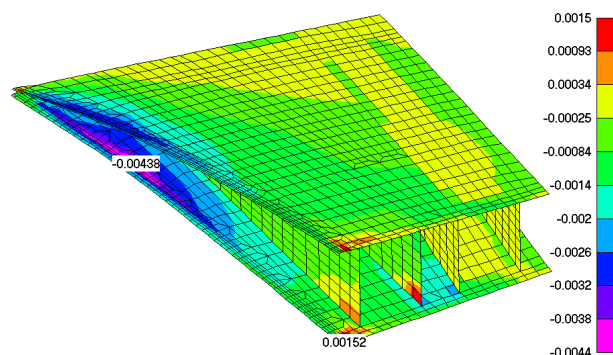
- Our own technology – especially for extremely resilient solutions.
- For a wide product portfolio: From parts to complex mechanisms and large geometries.
- Our overall competence & skills: For engineering, systems, material, processes, qualification.
- The complete service portfolio and all necessary facilities: For metallic, composite and hybrid technology.

Advanced structures for your smart innovation.

Our services

Development:

- Design and calculation of shape, structure, mechanisms:
Including assembly and fastening solutions.
- Material & process selection and qualification:
Best-in-Class-capability for metal, composite, hybrid.
- Optimization of structures and physical properties:
Stability, weight, strength, costs and others.
- System design and integration.
- Experienced in advanced composite technologies:
AFP, ATL, SQRTM, RTM ...
- Integrated project/program management.



Test and qualification:

- Development of the test solution:
Including tooling, configuration, instrumentation, data management.
- Execution of development/qualification/certification tests:
Static, fatigue, damage tolerance, endurance tests.
- Component and system inspection.
- Manufacturing of specimen and prototypes.
- Serial manufacturing process qualification.
- Development of the quality & conformity management.



Industrialization and prototype production:

- Development, simulation, integration of the production processes.
- Optimization of structure & system for the production process.
- NC programming, tool design.
- Production of the components and systems:
Including machining, assembly and inspection.



**For one of our latest projects: -9% weight, -16% material, -11% total costs.
And what can we save for you?**

Allround services: From the idea to your structure solution.